

Chemical process pumps



Omega pump type CZ Radially Split Volute Casing in back pull out, performance and dimension design according to ISO 2858 and ISO 5199 are of single-stage with single entry radial impeller in order to meet the special requirement in the process of chemical and chemical product and other general industrial applications.

Features

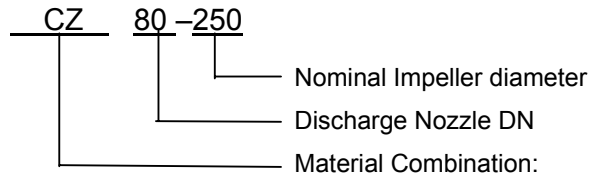
- Design for 16 and 25 bar pump casing working pressure as standard design, robust and solid construction and leak-tight due compact joint connection with pre-stressed bolts to ensure durability even under high suction pressure.
- End suction with center top discharge design back pull out for easy installation and maintenance.
- Pump can supply with closed impeller (**CZ**) or semi open impeller (**CZ-K**)
- Modular parts design to reduce inventory level for spare parts as excellent parts interchangeability.
- High-performance impeller using latest CFD (Computational Fluid Dynamic) Program ensure advance excellent hydraulic characteristic with high efficiency combined with long operating cycle. Back vane on impeller to keep solid out of seal area. Secure fitting with nut and key, impeller will not undo if run in reverse.
- Friendly reinforced shaft design, with or without renewable completely sealed shaft protecting sleeve to prevent crevice corrosion and premature failure, stiff shaft deflection for long seal life.
- The shaft seal can be design with gland packing or a mechanical seal without any reworks on seal housing by using the relevant replacement parts.
- Heavy duty bearing arrangement with two identical depth groove ball bearing with Oil lubrication.



Certificate No. 90420

OPERATING DATA

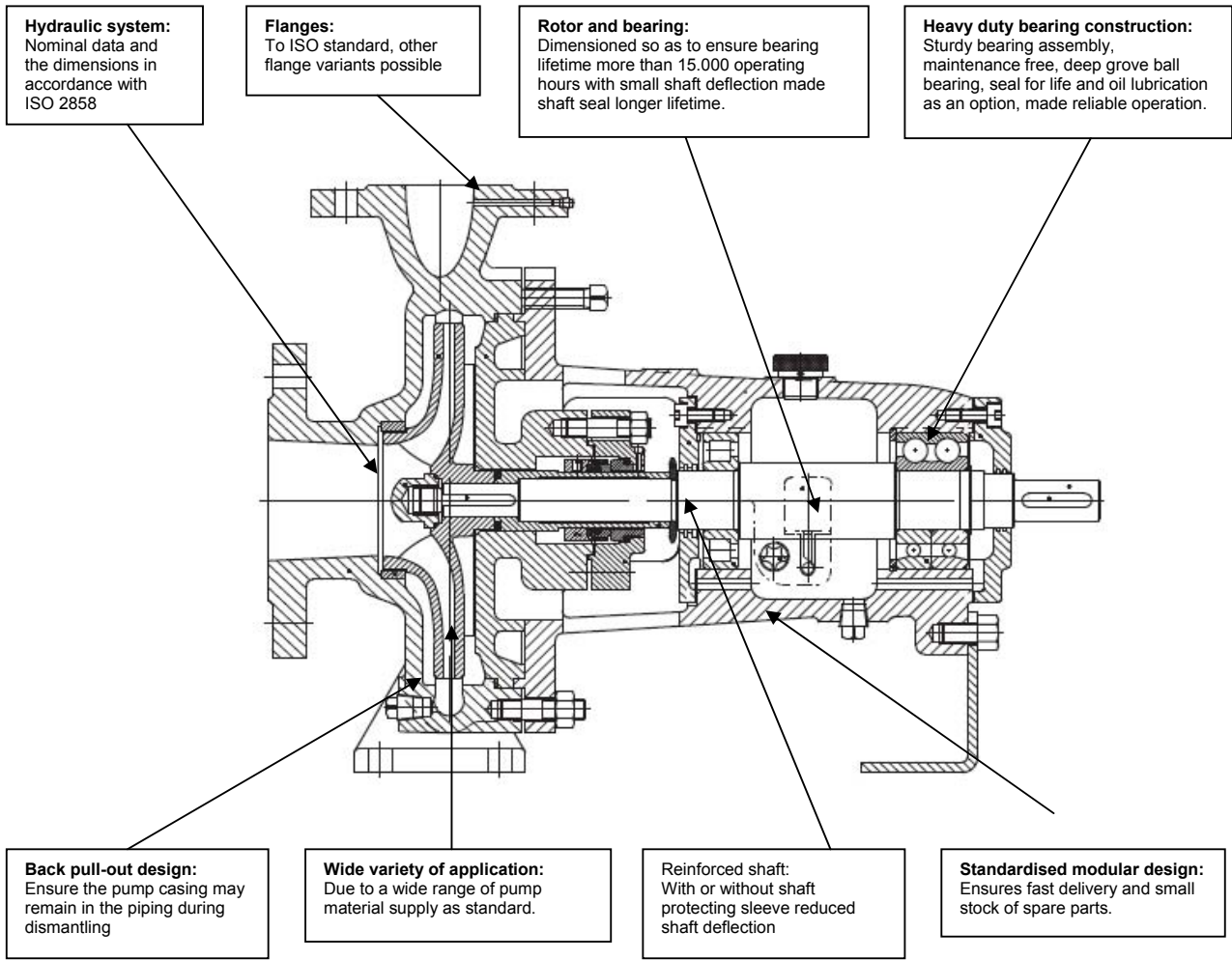
Pump size DN 25 up to 300
Capacity up to 2000 m³/hr
Total Head up to 150 m
Operating pressure up to 25 bar
Operating temperature up to 175°C
Other size on request
NOMENCLATURE



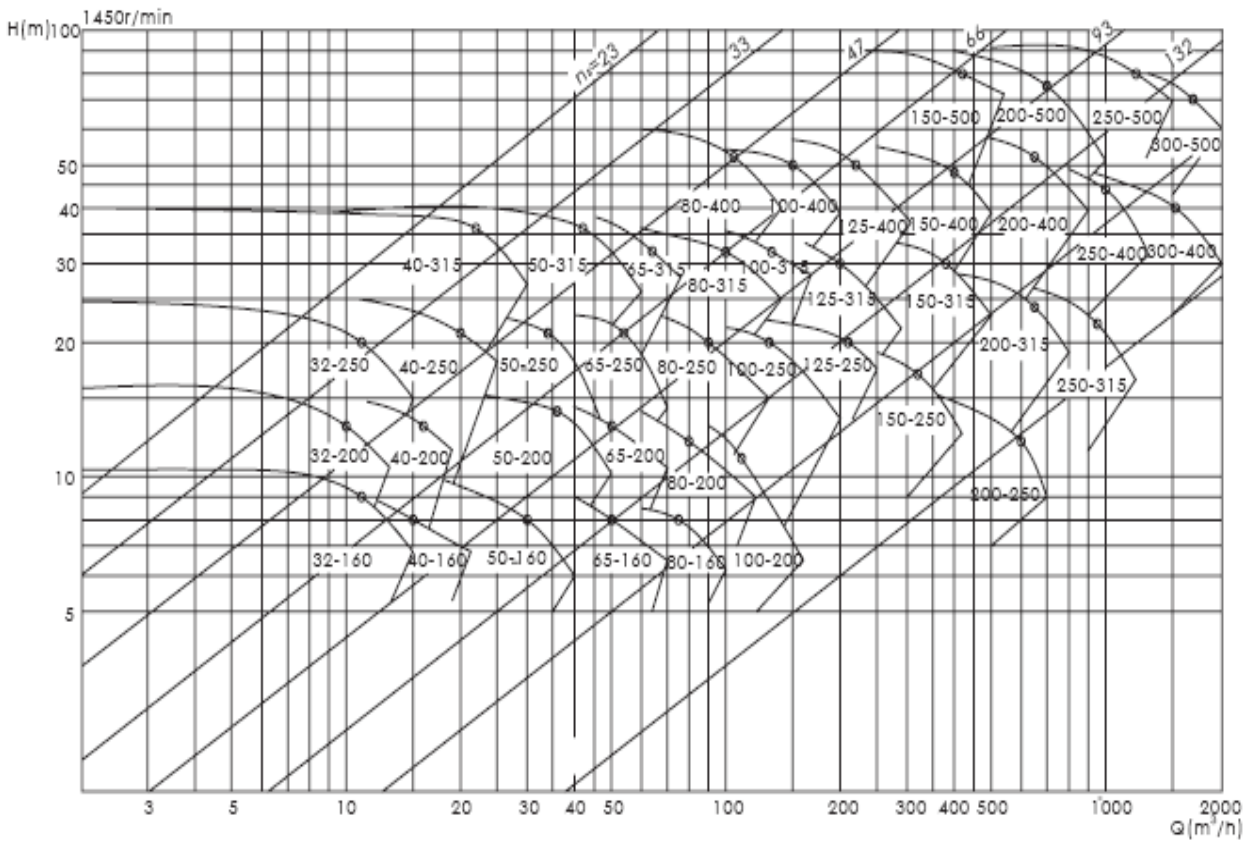
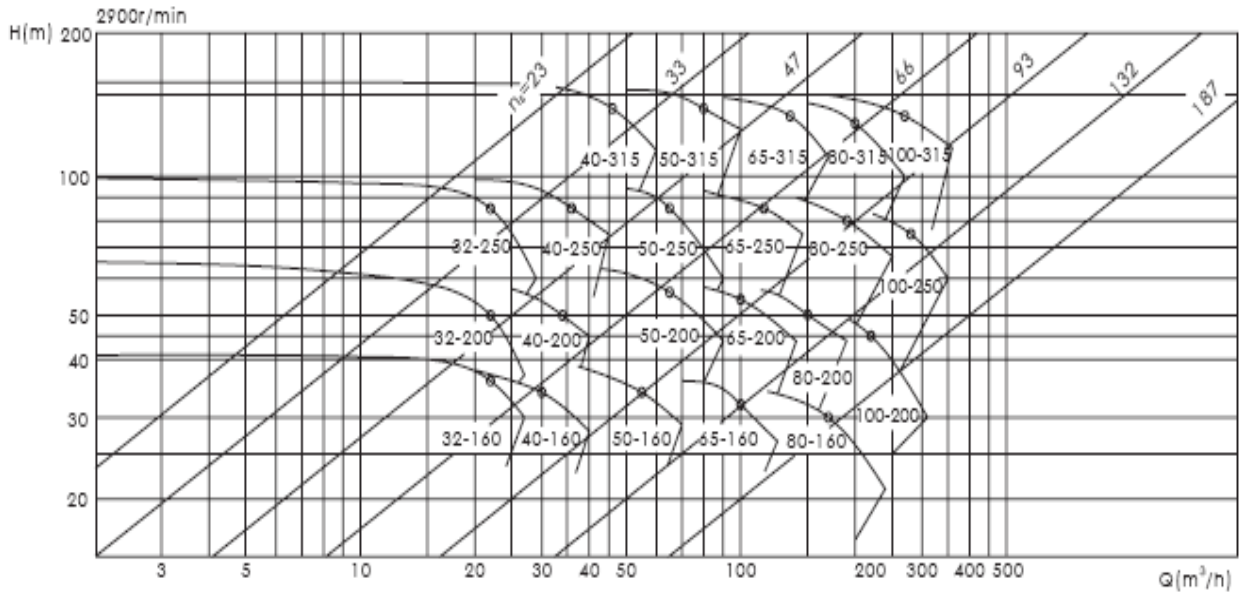
MATERIALS

Pump Casing/ Casing Cover/ Impeller	Cast Iron Cast Steel Stainless Steel
Bearing Housing	Cast Iron
Shaft	Carbon Steel High Tensile Steel Stainless Steel
Shaft Protecting Sleeve	Stainless Steel Special Alloy Steel
	Other material on request

Technical Advantages:

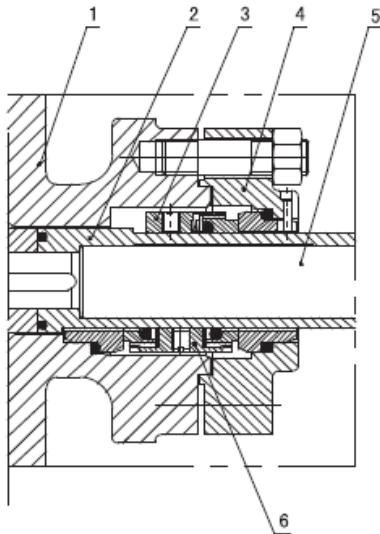


SELECTION CHARTS



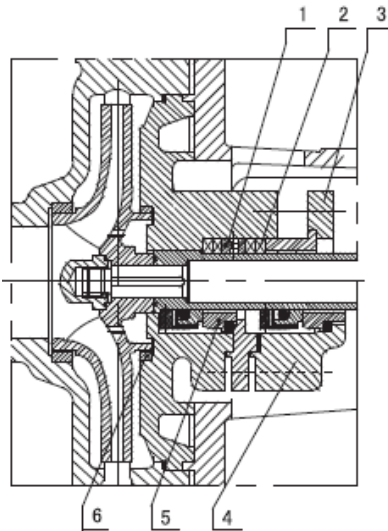
SEALING TYPE ARRANGEMENTS

Assembly view with single mechanical seal and pressure double mechanical seal



1. Pump cover
2. Shaft sleeve
3. Single mechanical seal components
4. Mechanical seal gland
5. Pump shaft
6. Pressure double mechanical seal components

Assembly view with packing seal and pressureless double mechanical seal



1. Packing ring
2. Packing
3. Packing gland
4. Mechanical seal gland
5. Pressure less double mechanical seal component
6. Back seal Ring

PT. Berkah Anugerah Kharisma

Jl. KH. Hasyim Ashari
Kavling DPR Blok B No. 296 RT. 004 RW. 005
Kel. Neroktog Kec. Pinang, Cipondoh

Phone : +62 21 55719721

E-mail : Info@bak.co.id