

Radially split volute casing pumps



Omega pump type DIN Radially Split Volute Casing in back pull out design according to DIN 24255 are of single-stage with single entry radial impeller suitable for handling water and similar liquid are mainly used in following application: water supply, air conditioning, irrigation, pressure boosting, fire protection industrial water, pure liquid non aggressive transport and other general industrial applications.

Features

- Up to 16 bar pump casing working pressure as standard design, robust and solid construction and leak-tight due compact joint connection with pre-stressed bolts to ensure durability even under high suction pressure.
- End suction with center top discharge design back pull out for easy installation and maintenance.
- Modular parts design to reduce inventory level for spare parts as excellent parts interchangeability.
- High-performance impeller using latest CFD (Computational Fluid Dynamic) Program ensure advance excellent hydraulic characteristic with high efficiency combined with long operating cycle. Back vane on impeller to keep solid out of seal area. Secure fitting with nut and key, impeller will not undo if run in reverse.
- Friendly reinforced shaft design, with or without renewable completely sealed shaft protecting sleeve to prevent crevice corrosion and premature failure, stiff shaft deflection for long seal life.
- The shaft seal can be design with gland packing or a mechanical seal without any reworks on seal housing by using the relevant replacement parts.
- Heavy duty bearing arrangement with two identical depth groove ball bearing with grease lubrication. Oil lubrication as optional.



Certificate No. 90420

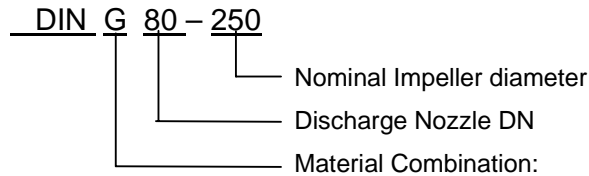
OPERATING DATA

Pump size	DN 25 up to 250
Capacity	up to 1000 m ³ /hr
Total Head	up to 150 m
Operating pressure	up to 10 bar
Operating temperature	up to 105°C

MATERIALS

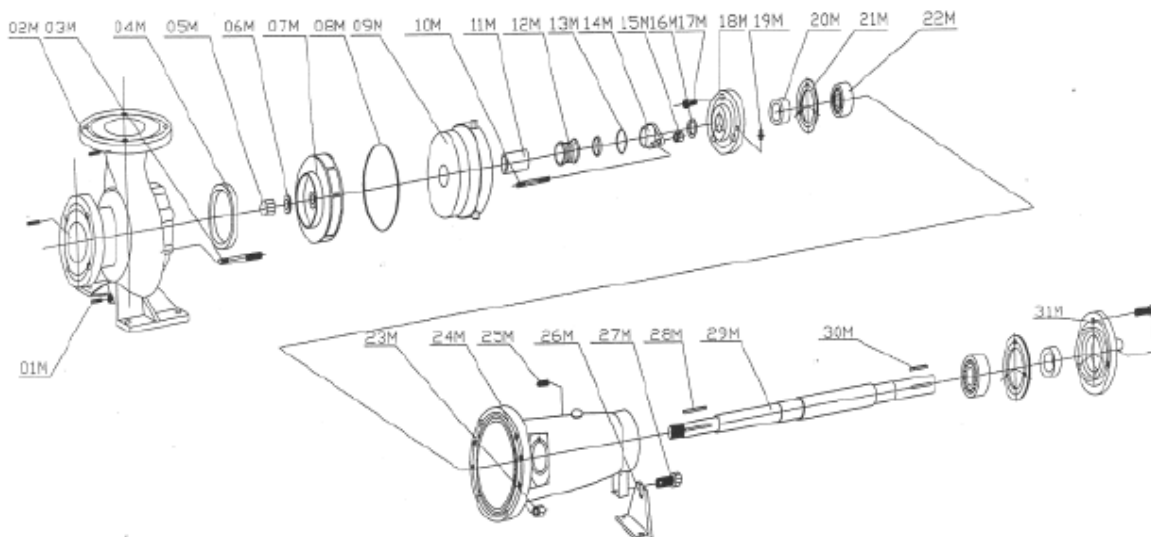
Pump Casing/ Casing Cover/ Impeller	Cast Iron Bronze Stainless Steel
Bearing Housing	Cast Iron
Shaft	Carbon Steel High Tensile Steel Stainless Steel
Shaft Protecting Sleeve	Stainless Steel Special Alloy Steel

NOMENCLATURE



- G : Cast Iron Material Combination.
 - B : Bronze Material Combination.
 - C : Stainless Steel Material Combination.
- Follower letter:
- M : With Mechanical Seal.

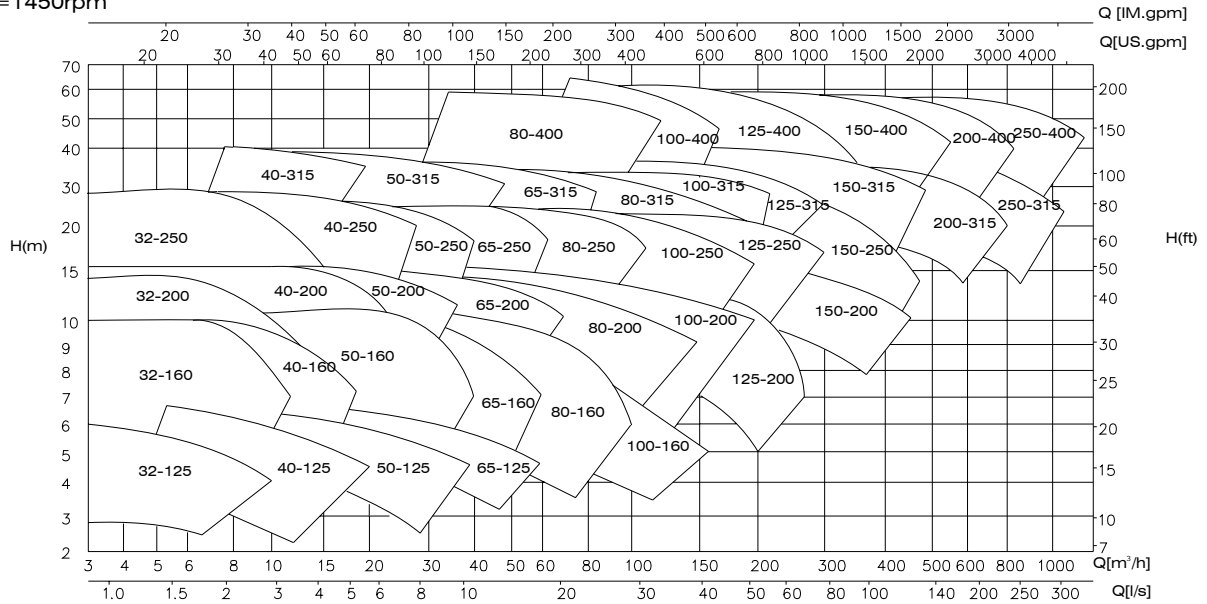
Exploded view:



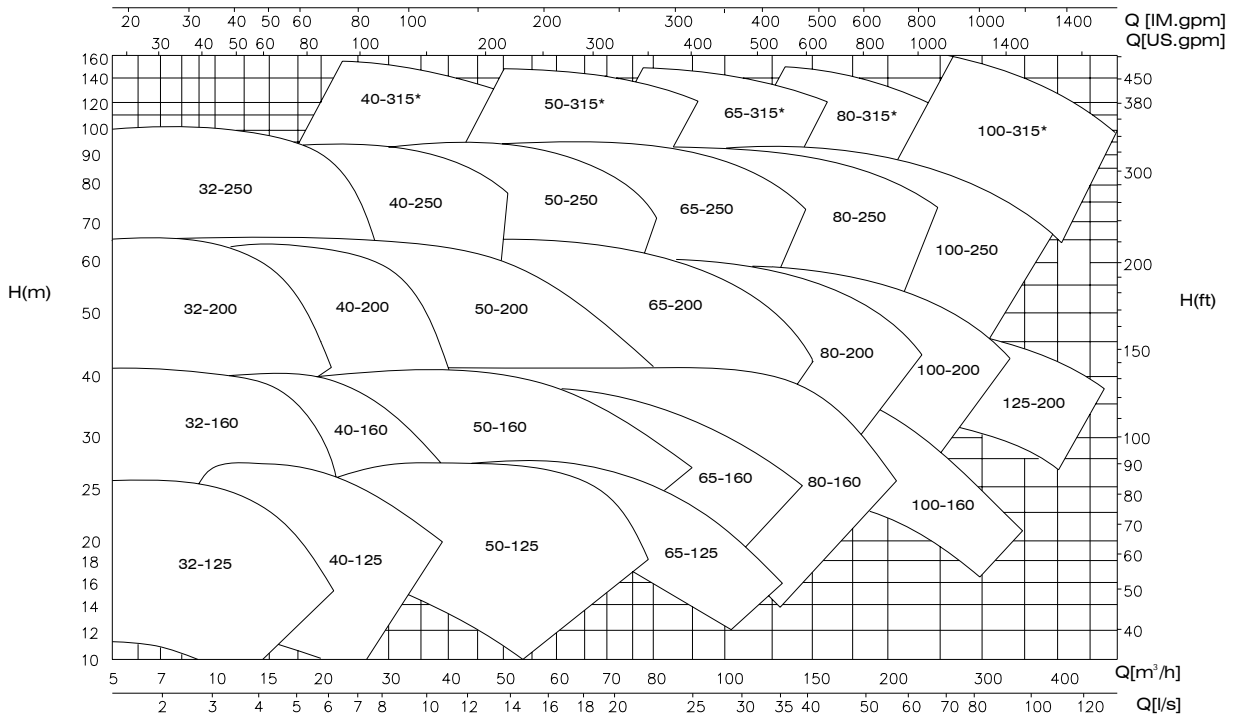
- | | | | |
|----------------------|----------------------|---------------------|-------------------|
| 01M Plug | 09M Casing cover | 17M Bolts | 25M Plug |
| 02M Casing | 10M Bolts | 18M Bearing cover | 26M Support |
| 03M Bolts | 11M Shaft sleeve | 19M Grease nipple | 27M Bolt |
| 04M Casing wear ring | 12M Mechanical Seal | 20M Shaft seal ring | 28M Key |
| 05M Impeller nut | 13M O-ring | 21M Gasket | 29M Shaft |
| 06M Washer | 14M Seal Cover/Gland | 22M Bearing | 30M Key |
| 07M Impeller | 15M Nuts | 23M Nut | 31M Bearing Cover |
| 08M O-ring | 16M Splash Ring | 24M Bearing bracket | |

SELECTION CHARTS

n=1450rpm

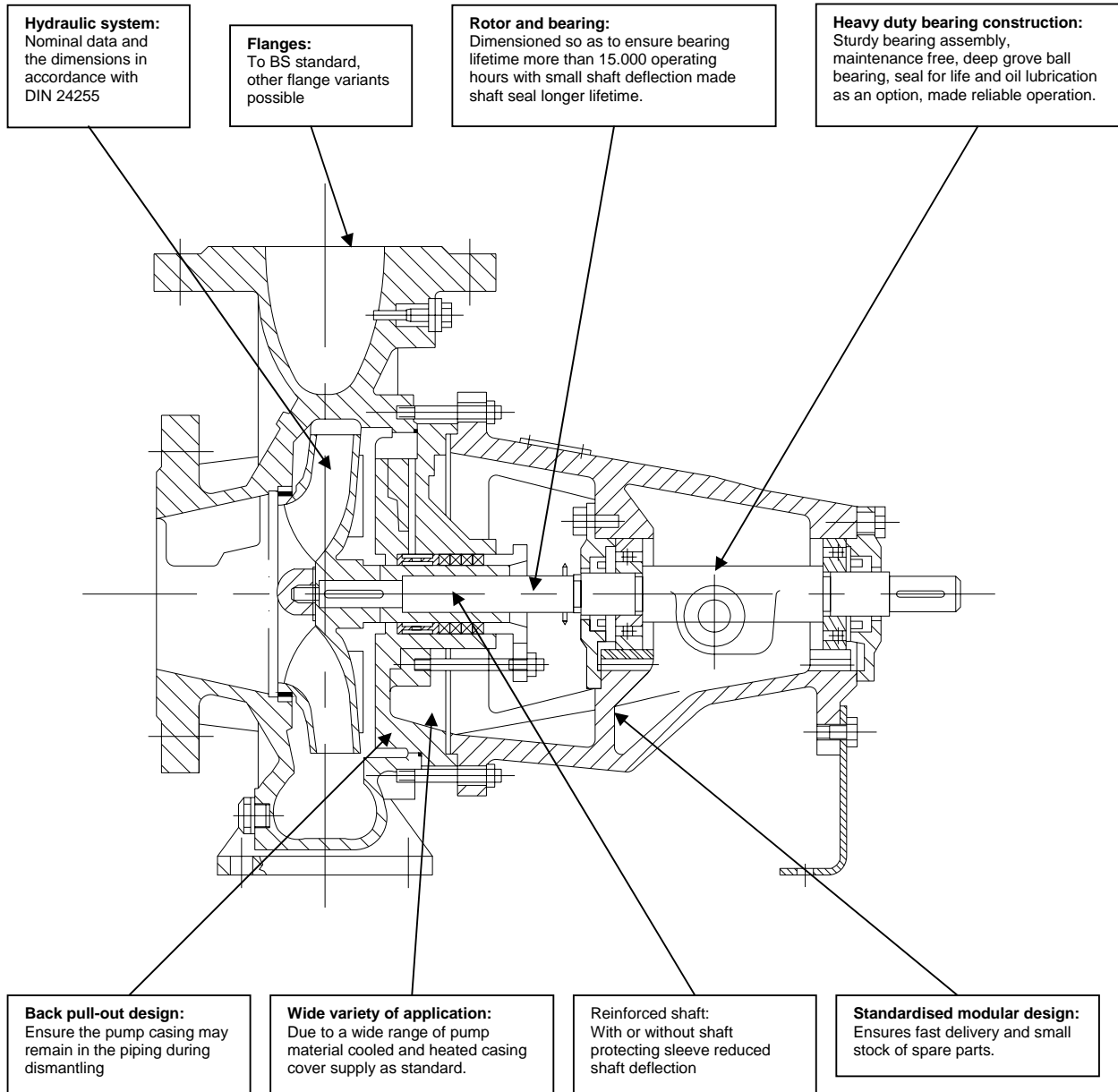


n=2900rpm



* Special heavy duty bearing bracket required.

TECHNICAL ADVANTAGES



PT. Berkah Anugerah Kharisma

Jl. KH. Hasyim Ashari
Kavling DPR Blok B No. 296 RT. 004 RW. 005
Kel. Neroktog Kec. Pinang, Cipondoh

Phone : +62 21 55719721

E-mail : Info@bak.co.id